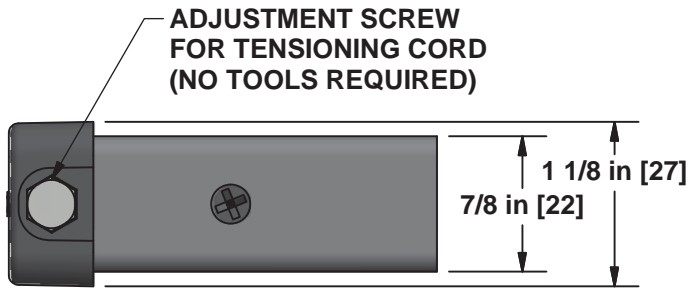


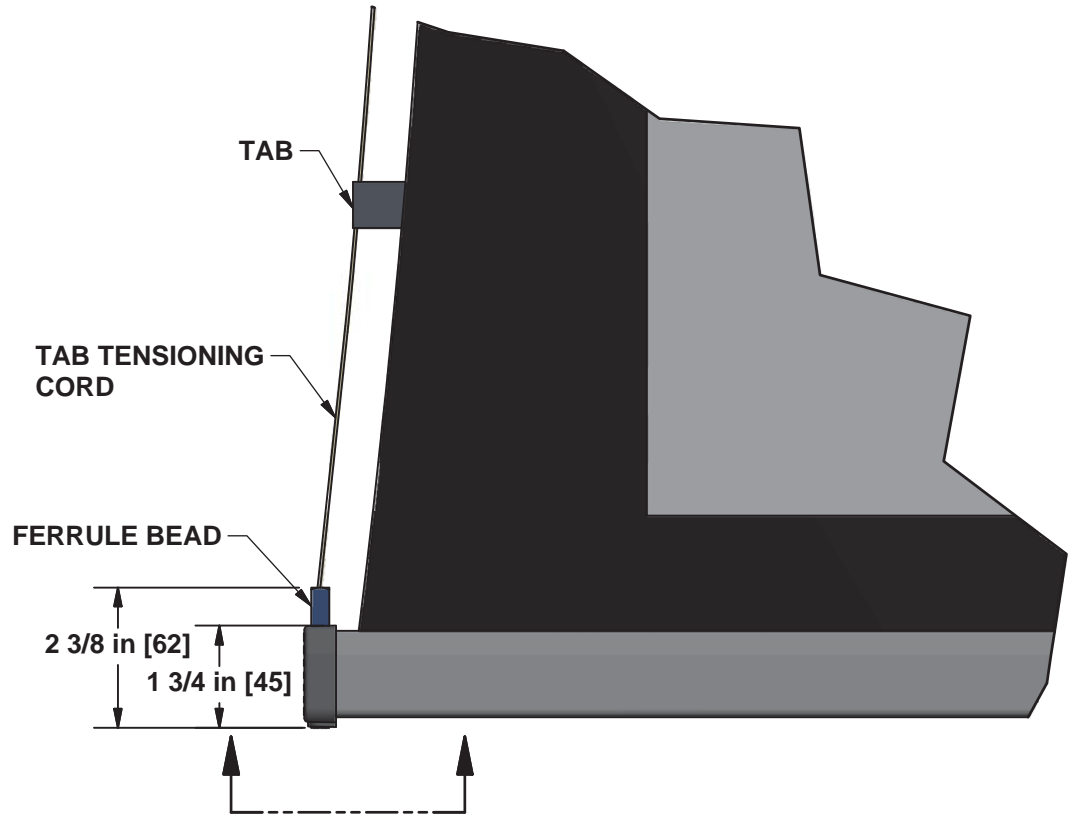
NOTE: DARK COLORS HAVE BEEN LIGHTENED FOR CLARITY PURPOSES

RESTRICTION: The information contained in the proposal is confidential and proprietary to Stewart Filmscreen Corporation, shall not be disclosed beyond the vendor company, and shall not be duplicated, used, or disclosed in whole or in part for any purpose except to evaluate this proposal.

DIMENSIONS ARE Inches [mm]		DRAWN BY:		Stewart FILMSCREEN 1161 W. Sepulveda Blvd., Torrance, CA 90502 Customer Care (800) 762-4999 Fax (310) 326-6870	
TOLERANCES: +/- 1/8 in (UNLESS OTHERWISE SPECIFIED)		Engineering			
APPROXIMATE SCREEN WEIGHT:		DRAWING TYPE:		TITLE CIMA ABOVE CEILING	
60 LBS		Typical			
APPROXIMATE SHIPPING WEIGHT:		CREATION DATE:			
140 LBS		10/16/14		REV.	
MODEL #:		CIAC103SW-6-2-5		PART NO.	
CASE COLOR:		White		SIZE	SHEET
				A	1 OF 7
				00920	



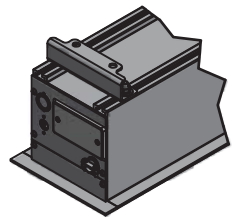
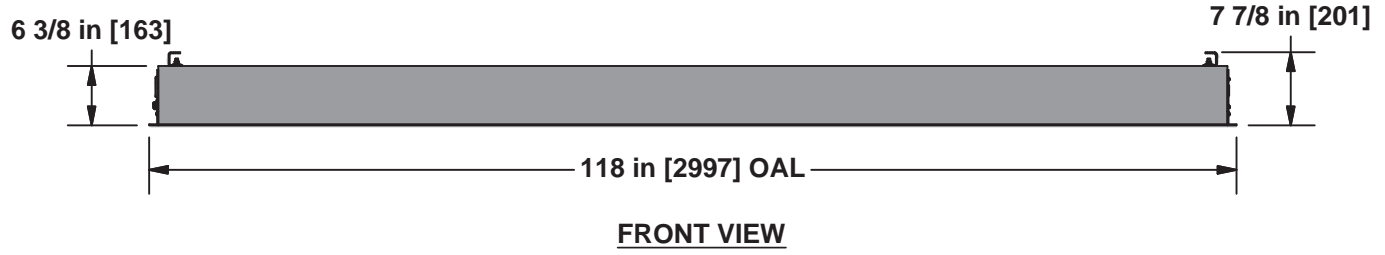
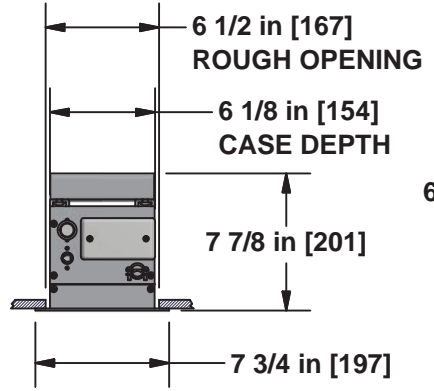
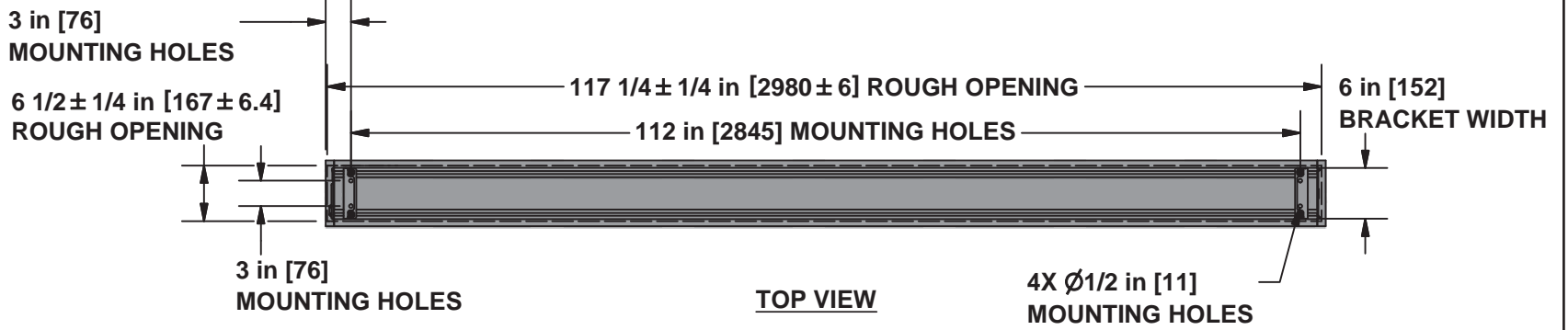
BATTEN END CAP
REFLECTED CEILING VIEW



BATTEN DETAIL
TAB TENSIONING VIEW

DIMENSIONS ARE Inches [mm]		DRAWN BY:		Stewart FILMSCREEN 1161 W. Sepulveda Blvd., Torrance, CA 90502 Customer Care (800) 762-4999 Fax (310) 326-6870	
TOLERANCES: +/- 1/8 in (UNLESS OTHERWISE SPECIFIED)		Engineering			
APPROXIMATE SCREEN WEIGHT:		DRAWING TYPE:		TITLE CIMA ABOVE CEILING	
60 LBS		Typical			
APPROXIMATE SHIPPING WEIGHT:		CREATION DATE:			
140 LBS		10/16/14		MODEL #:	
MODEL #:		CIAC103SW-6-2-5			
CASE COLOR:		SIZE	SHEET	PART NO.	REV.
White		A	2 OF 7	00920	

RESTRICTION: The information contained in the proposal is confidential and proprietary to Stewart Filmscreen Corporation, shall not be disclosed beyond the vendor company, and shall not be duplicated, used, or disclosed inwhole or in part for any purpose except to evaluate this proposal.

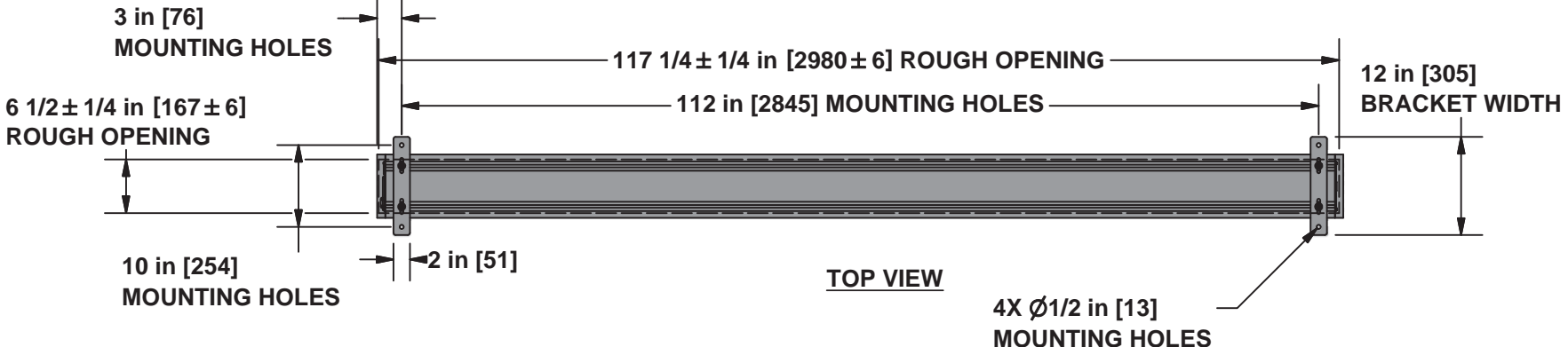


ISOMETRIC VIEW

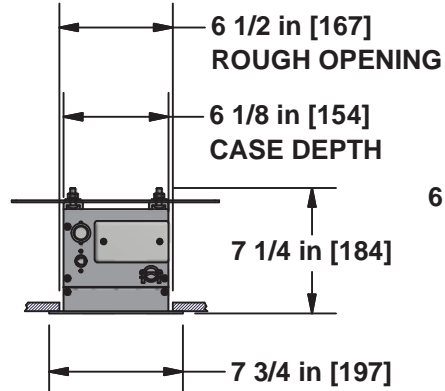
**MOUNTING BRACKET
 STANDARD**

DIMENSIONS ARE Inches [mm]		DRAWN BY: Engineering		Stewart FILMSCREEN 1161 W. Sepulveda Blvd., Torrance, CA 90502 Customer Care (800) 762-4999 Fax (310) 326-6870	
TOLERANCES: +/- 1/8 in (UNLESS OTHERWISE SPECIFIED)		DRAWING TYPE: Typical			
APPROXIMATE SCREEN WEIGHT: 60 LBS		CREATION DATE: 10/16/14		TITLE CIMA ABOVE CEILING	
APPROXIMATE SHIPPING WEIGHT: 140 LBS		MODEL #: CIAC103SW-6-2-5			
CASE COLOR: White		SIZE A	SHEET 3 OF 7	PART NO. 00920	REV.

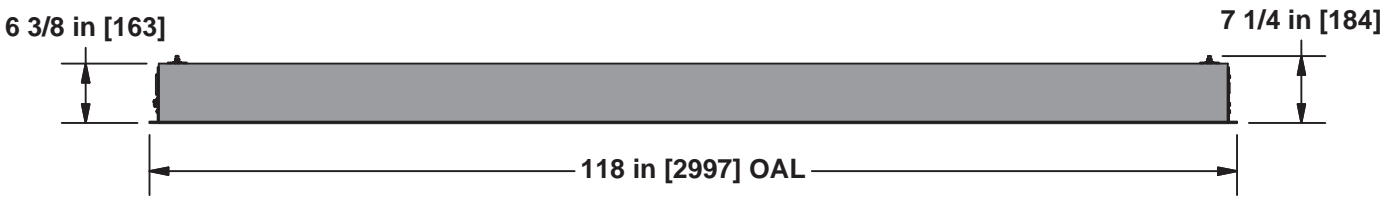
RESTRICTION: The information contained in the proposal is confidential and proprietary to Stewart Filmscreen Corporation, shall not be disclosed beyond the vendor company, and shall not be duplicated, used, or disclosed inwhole or in part for any purpose except to evaluate this proposal.



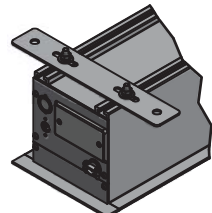
TOP VIEW



SIDE VIEW
(NOT TO SCALE)



FRONT VIEW

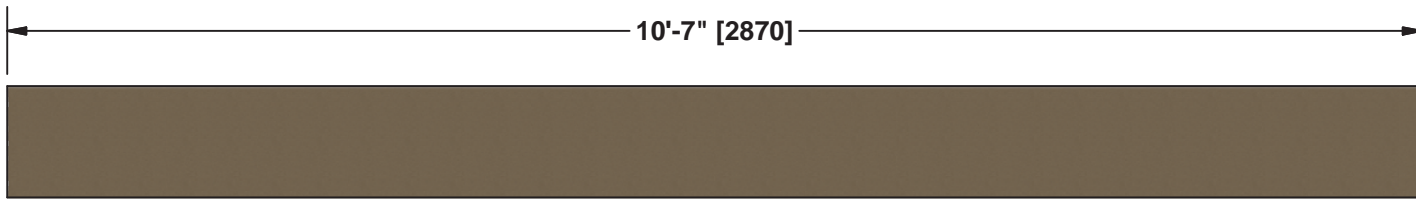


ISOMETRIC VIEW

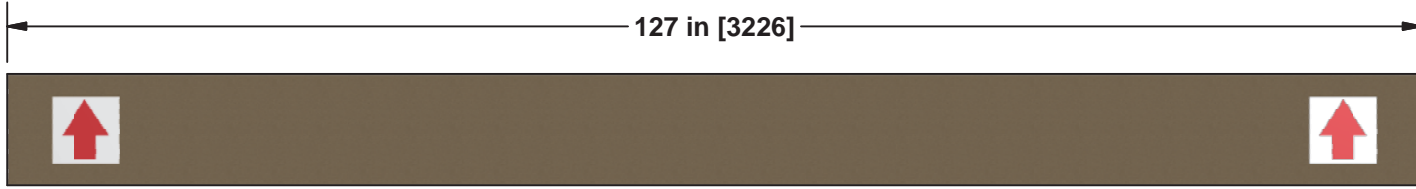
**MOUNTING BRACKET
OPTIONAL**

DIMENSIONS ARE Inches [mm]		DRAWN BY: Engineering		Stewart FILMSCREEN 1161 W. Sepulveda Blvd., Torrance, CA 90502 Customer Care (800) 762-4999 Fax (310) 326-6870	
TOLERANCES: +/- 1/8 in (UNLESS OTHERWISE SPECIFIED)		DRAWING TYPE: Typical			
APPROXIMATE SCREEN WEIGHT: 60 LBS		CREATION DATE: 10/16/14		TITLE CIMA ABOVE CEILING	
APPROXIMATE SHIPPING WEIGHT: 140 LBS		MODEL #: CIAC103SW-6-2-5		SIZE A	SHEET 4 OF 7
CASE COLOR: White				PART NO. 00920	REV.

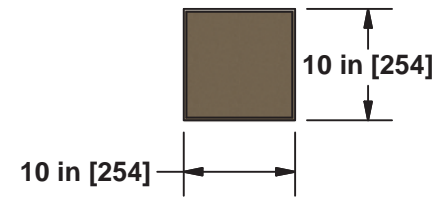
RESTRICTION: The information contained in the proposal is confidential and proprietary to Stewart Filmscreen Corporation, shall not be disclosed beyond the vendor company, and shall not be duplicated, used, or disclosed in whole or in part for any purpose except to evaluate this proposal.



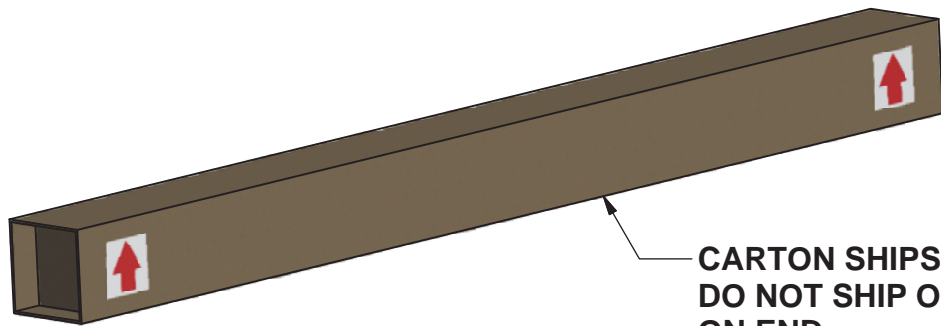
TOP VIEW



FRONT VIEW



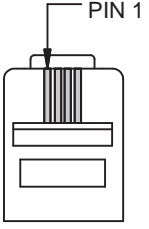
SIDE VIEW



**CARTON SHIPS FLAT
DO NOT SHIP OR STORE
ON END**

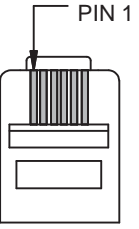
DIMENSIONS ARE Inches [mm]		DRAWN BY:		Stewart FILMSCREEN 1161 W. Sepulveda Blvd., Torrance, CA 90502 Customer Care (800) 762-4999 Fax (310) 326-6870	
TOLERANCES: +/- 1/8 in (UNLESS OTHERWISE SPECIFIED)		Engineering			
APPROXIMATE SCREEN WEIGHT:		DRAWING TYPE:		TITLE CIMA ABOVE CEILING	
60 LBS		Typical			
APPROXIMATE SHIPPING WEIGHT:		CREATION DATE:			
140 LBS		10/16/14		REV.	
MODEL #:		CIAC103SW-6-2-5		PART NO. 00920	
CASE COLOR:		White		SIZE A	SHEET 5 OF 7

RESTRICTION: The information contained in the proposal is confidential and proprietary to Stewart Filmscreen Corporation, shall not be disclosed beyond the vendor company, and shall not be duplicated, used, or disclosed inwhole or in part for any purpose except to evaluate this proposal.



4 PIN:

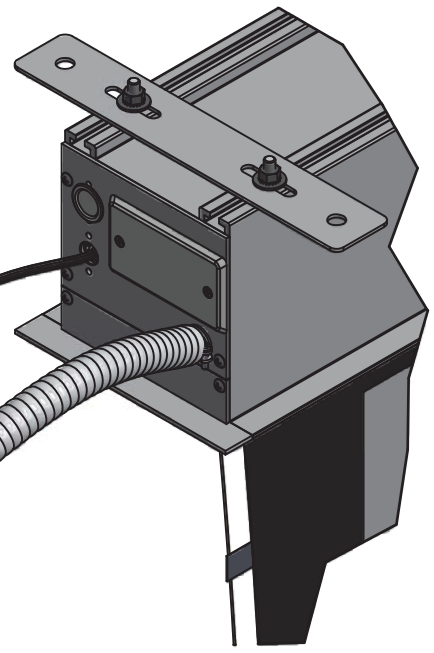
PIN	SIGNAL
1	COMMON
2	LV1
3	LV2
4	STI



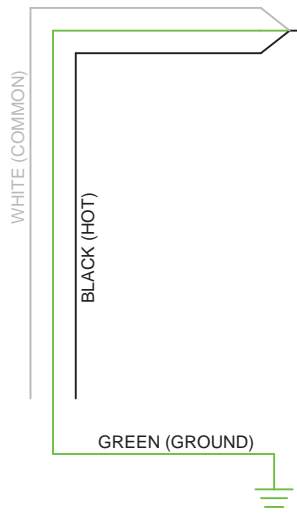
6 PIN:

PIN	SIGNAL
1	NOT USED
2	COMMON
3	LV1
4	LV2
5	STI
6	NOT USED

STI INPUT
4 PIN OR 6 PIN
RJ25 CONNECTOR
SEE CHART



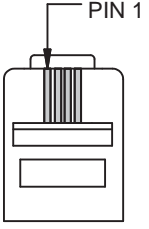
POWER CONDUIT



120 VOLT WIRING

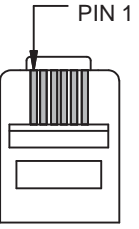
DIMENSIONS ARE Inches [mm]		DRAWN BY: Engineering		Stewart FILMSCREEN 1161 W. Sepulveda Blvd., Torrance, CA 90502 Customer Care (800) 762-4999 Fax (310) 326-6870	
TOLERANCES: +/- 1/8 in (UNLESS OTHERWISE SPECIFIED)		DRAWING TYPE: Typical			
APPROXIMATE SCREEN WEIGHT: 60 LBS		CREATION DATE: 10/16/14		TITLE CIMA ABOVE CEILING	
APPROXIMATE SHIPPING WEIGHT: 140 LBS		MODEL #: CIAC103SW-6-2-5		REV.	
CASE COLOR: White		SIZE A	SHEET 6 OF 7	PART NO. 00920	

RESTRICTION: The information contained in the proposal is confidential and proprietary to Stewart Filmscreen Corporation, shall not be disclosed beyond the vendor company, and shall not be duplicated, used, or disclosed inwhole or in part for any purpose except to evaluate this proposal.



4 PIN:

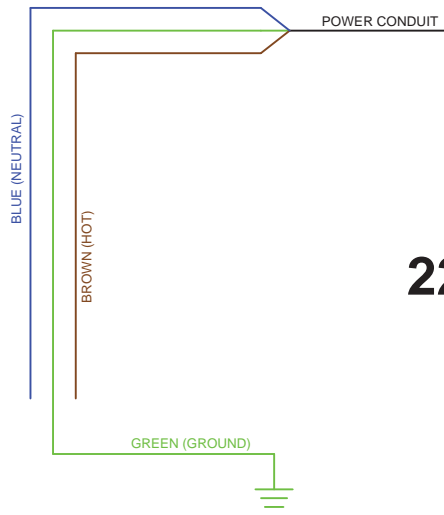
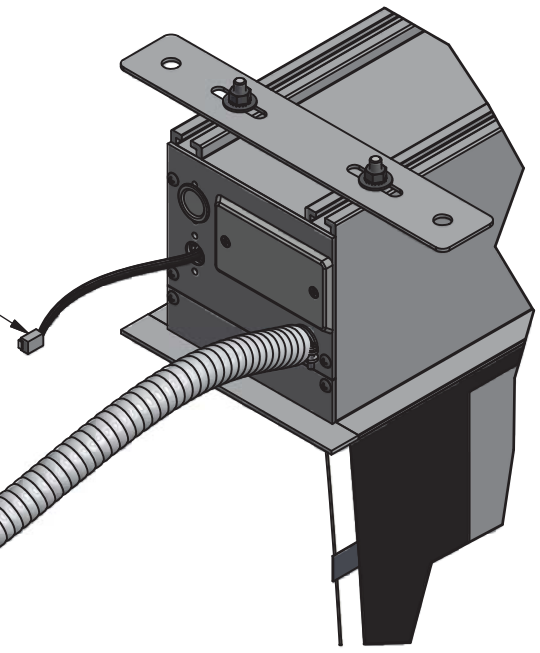
PIN	SIGNAL
1	COMMON
2	LV1
3	LV2
4	STI



6 PIN:

PIN	SIGNAL
1	NOT USED
2	COMMON
3	LV1
4	LV2
5	STI
6	NOT USED

STI INPUT
4 PIN OR 6 PIN
RJ25 CONNECTOR
SEE CHART



220 VOLT WIRING

DIMENSIONS ARE Inches [mm]		DRAWN BY: Engineering		Stewart FILMSCREEN 1161 W. Sepulveda Blvd., Torrance, CA 90502 Customer Care (800) 762-4999 Fax (310) 326-6870	
TOLERANCES: +/- 1/8 in (UNLESS OTHERWISE SPECIFIED)		DRAWING TYPE: Typical			
APPROXIMATE SCREEN WEIGHT: 60 LBS		CREATION DATE: 10/16/14		TITLE CIMA ABOVE CEILING	
APPROXIMATE SHIPPING WEIGHT: 140 LBS		MODEL #: CIAC103SW-6-2-5		SIZE A	SHEET 7 OF 7
CASE COLOR: White				PART NO. 00920	REV.

RESTRICTION: The information contained in the proposal is confidential and proprietary to Stewart Filmscreen Corporation, shall not be disclosed beyond the vendor company, and shall not be duplicated, used, or disclosed in whole or in part for any purpose except to evaluate this proposal.